

Please note: Strongdor recommend that the fitting of these specialist door-sets should only be undertaken by experienced industrial door fitters.

IMPORTANT INFORMATION

We recommend that the fitting of these specialist door-sets should only be undertaken by experienced industrial door fitters, who possess a solid technical understanding of the required performance of the installed door. The method of installation can vary from site to site, depending on structural opening, and therefore this manual should be used as a general guideline, rather than a definitive set of instructions.

Consequently, Strongdor cannot accept any responsibility for careless installation that could cause accident, damage and an unexpectedly low level of sound damping.



TOOLS REQUIRED

- Hoist installation, which can transport the door
- Electric drill | Masonry: Concrete drill Ø 8 mm | Metal: Metal drill and screw thread drill for M8
- Wrench 13
- Measuring tape
- Spirit level
- Small crowbar
- (Re-paintable) silicon kit

FIXING KIT

The following items should be included with your door-set:

- Door-set
- 12 or 20 Torx screws
- Screwbit Power Forx 30/50
- Fill plate in different widths
- 2 x wire spindle M8, l = 330 mm
- 4 x nut M8
- Installation profile
- Installation cap
- Compriband 20 x 20
- Optional: 2 x lifting hook

If any of these items missing or the door has been damaged in transport, please notify Strongdor immediately.

FITTING, SAFETY AND MAINTENANCE INSTRUCTIONS FOR ACOUSTIDOR

SUMMARY OF INSTALLATION PROCEDURE

Place the front side of the door into the structural opening. Ensure that the front edge of the frame fits over the wall opening. When the door is in place, secure it to prevent it falling.

The door will be firmly secured into the wall opening by the hinges, and the frame functions as a seal.



STRUCTURAL OPENING CHECKS

- The wall opening must be sufficiently stable to support the heavy weight of the door and the force required to open and close it.
- Check if the door fits into the wall opening and that the wall aperture is level and even.
- The threshold of the aperture must be flat and level. If this is not the case, please fill as necessary.
- Check if the door posts on the inside frame are standing in the lead.

TRANSPORT OF DOORS IMPORTANT NOTES

- During transport the door must remain closed and may not be lifted by the outside door frame.
- For larger doors a cart or a lift truck may be necessary to move them.
- The doors may only be lifted by the lifting points.
- A double door may only be lifted with a lifting bar (see figure 1). A fitting lifting bar with special lifting hooks is desirable.

INSTALLATION

1. Checking the threshold and aperture are level:



2. Tape the compriband on the underside of the doorframe, so that the threshold and the doorframe do not make direct contact. Turn both wire spindles in the frame and secure these with a "contra" nut. Also place a nut on the tip of the wire spindle (see figure 2).

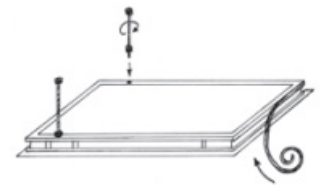


Figure 2: Application of compriband and installation wire spindle



3. Place the underside of the door in the wall opening and put the door up - see Fig 3 overleaf.

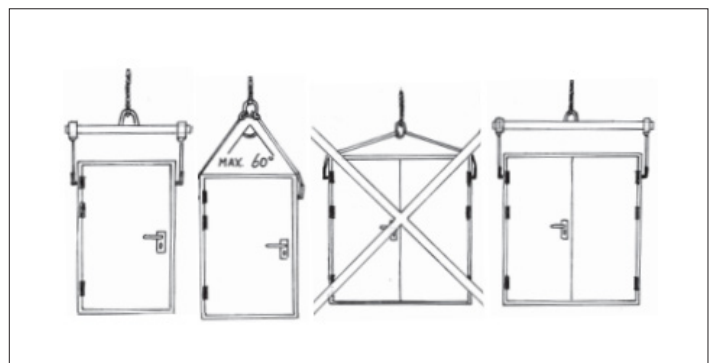


Figure 1: Only lift door with lifting hooks / lifting bar.



INSTALLATION (continued)

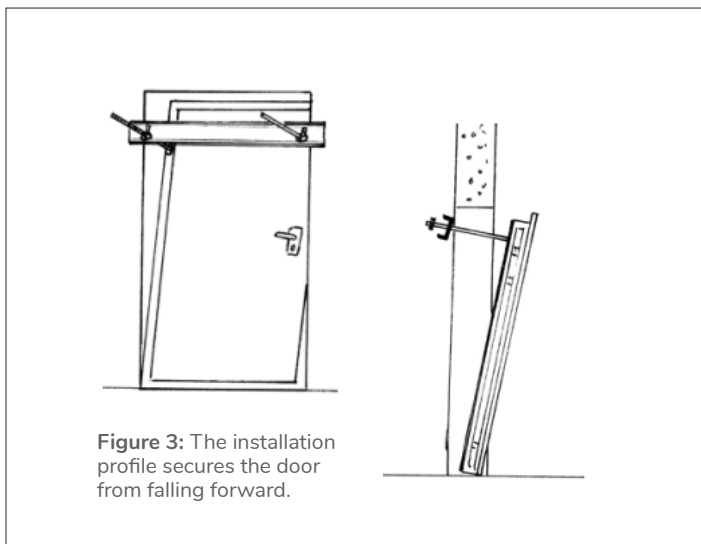


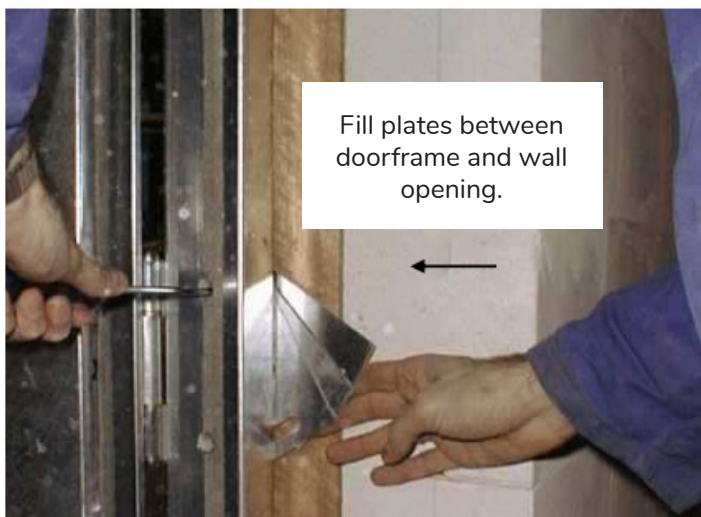
Figure 3: The installation profile secures the door from falling forward.

- Place the installation profile over the wire spindle and secure the nuts, so that the door can not fall forward (don't tighten the nuts too much so that the door can be adjusted)



It is only safe to remove the profile if the door is tightly secured.

- Make sure the door-frame is fastened at the front, then place the door in the center of the wall opening.
- Check that the threshold is level. If this is not the case fill as required.
- Make the front of the door-frame level (if necessary). Check points 5 and 6 before securing.
- Open the door, now the space between the wall opening and the door-frame must be filled in with fill plates. It is easiest if the door is lightly secured with the screws in the wall opening and then the fill plates are put between the wall opening and the frame. The filling procedure must be done accurately so that the inside frame is level on both sides. The door-frame must be secured tightly, but there may not be any tension on the door.
- When all the screws are tight the installation caps can be placed.
- Use the silicon kit to fill the gap between the door frame and the wall opening
- Optional installation of panic lock
- If there is no top coat present, one must be applied within two weeks after delivery. (Do not paint door sealers)



Fill plates between doorframe and wall opening.

SERVICE

To validate your warranty, we recommend that the door is regularly serviced using the following routine:

- Cleaning, sand and dirt can come between the frame and the door, damaging the sealing rubber;
- the oiling of hinges;
- adjusting and oiling of locks;
- apply a protective layer on the rubber sealings.

GENERAL MAINTENANCE

To ensure safe, reliable operation regular inspection and maintenance is essential. The frequency of maintenance depends on the amount of use.

Door cycles per day Recommended Inspection and Maintenance periods

Up to 15	Every six months
Up to 30	Every four months
Up to 40	Every two months
Up to 50	Every five weeks
Over 50	Every two weeks

Pre-finished doors can be easily cleaned using mild household detergents or washing up liquid with warm water.

DO NOT use any chemicals solvents, bleach or abrasive type cleaners, which will affect the paint finish, hardware and seals.

FAILURE TO COMPLY WITH THIS MANUAL WILL INVALIDATE THE WARRANTY.

MANUFACTURERS WARRANTY OF ONE YEAR IS ONLY VALID IF THE ABOVE MAINTENANCE AND PROFESSIONAL INSTALLATION AS BEEN CARRIED OUT.

Oakwood Way,
Carnforth Business Park,
Carnforth, LA5 9FD