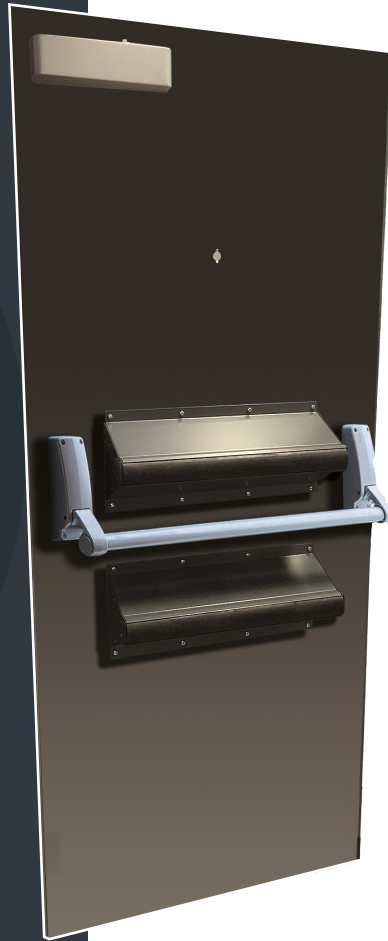


Trolley Guard Specifications

- EMERGENCY EXITS

SUITABLE FOR INTERNAL AND EXTERNAL USE



Trolley Guard

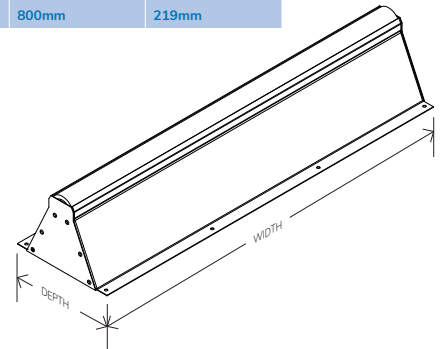
Specifically designed to protect steel doors and hardware from impact damage in high traffic areas.

The Strongdor trolley guard is specifically designed to protect steel doors and hardware from impact damage in high traffic areas.

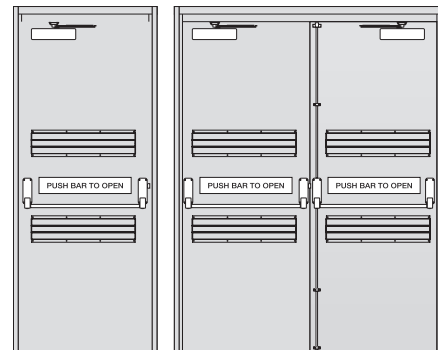
Made from high quality steel and fitted with a rubber bumper, the guards are available in two widths to suit the size of the door leaf and, for retro-fit, are supplied with all the relevant fixings.

The guards can either be specified for new doors or retro-fitted to doors in-situ. Suitable for warehouses and retail areas, the guards prolong the life of the door.

MODEL	WIDTH	DEPTH
RB500	500mm	219mm
RB800	800mm	219mm



Typical Application



TECHNICAL SPECIFICATION

RB500 - RB800