

Surelock McGill Slimline Multi-point Bolting

SECURE PANIC
FURNITURE

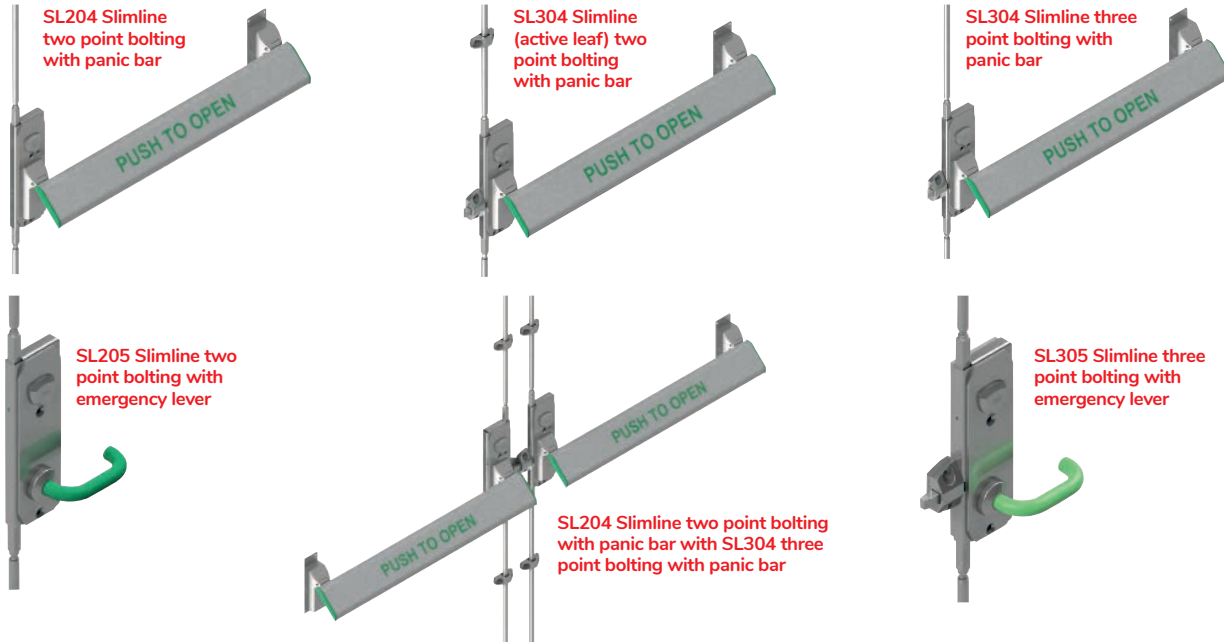
TECHNICAL
SPECIFICATIONS



Surelock McGill high performance multi-point bolting mechanism that provides automatic bolting upon door closure offering high security protection with ballistic and blast resistance in one product.

The design of the product enables the opportunity to escape using a push pad/panic plate or lever handle operation.

The Slimline range has been designed with a common fixing footprint, enabling other alternative modules to be retrofitted to meet future changes in operational requirement later.



OPERATIONS

Exit - Slimline panic & emergency exit devices are operated using either lever handle, emergency push pad or full width panic plate to facilitate a single handed means of escape. Upon door closure the bolts will automatically engage and fully secure.

Optional Entry - External key via LEO secure locking handle (see Leo devices in Ancillary items)

FEATURES

- Surface mounted or mortice fitted solutions
- Automatic bolting upon door closure
- Proven rack & pinion mechanism
- 15mm (0.591") x 25mm (0.984") throw stainless steel bolts
- Choice of exit device operators to suit operational requirements
- Non-handed and bi-directional
- Tested to over 1,000,000 cycles
- Suitable for doors 2.2m(86.614") high and extensions available for taller doorsets
- Optional bolt enhancement packs available for blast applications
- Optional bolt status monitoring available
- Straight lever handle as standard
- Alternative direction & additional auxiliary bolts can be added

BENEFITS

- Automatic bolting
- Life safety device BSEN 179/1125 and UL305 compliant
- Tested on specific doorsets up to LPS 1175:SR6
- Door securely bolted when in closed position
- Optional remote monitoring of bolt status
- Engineered for longevity and trouble free service