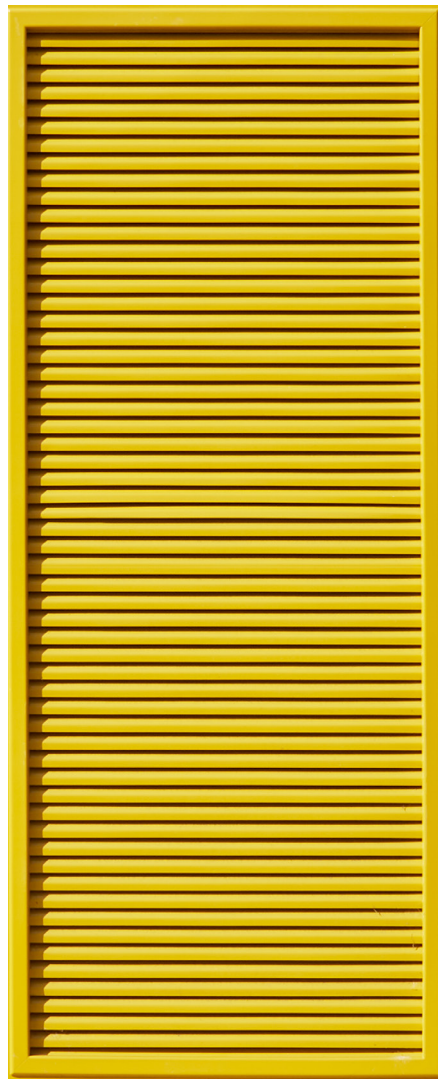
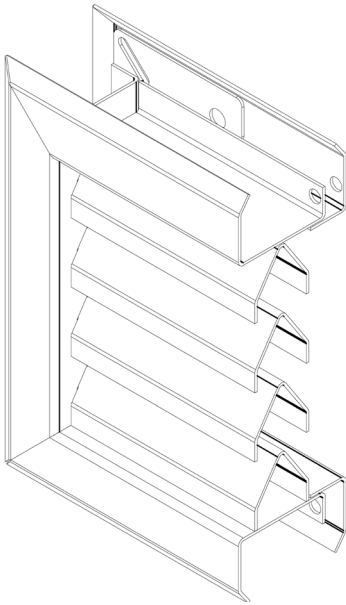


# Standard Steel Louvre

## LOUVRE OPTIONS

TECHNICAL  
SPECIFICATIONS





### Standard Steel Louvre

Both the frame and blades of our standard louvre panels are made from 18GA IZ steel.

**Free area:** 40-50% dependent on overall size.  
30-36% when using insect mesh.

Louvre sizes made to suit customer requirements.

Most popular sizes include:

457 x 457mm  
254 x 762mm  
305 x 305mm

If you require an alternative size to the above, speak with our steel door experts to discuss the bespoke sizes available.

\*All dimensions shown in imagery are in mm.

