

Dorma TS83 Door Closer

HARDWARE OPTIONS

TECHNICAL SPECIFICATIONS



Dorma TS83 Door Closer

The Dorma TS83 is a rack and pinion door closer which can be fitted to either the push or pull side of your door leaf. This great quality reliable closer has a scissor arm action with multiple adjusting factors.

Features

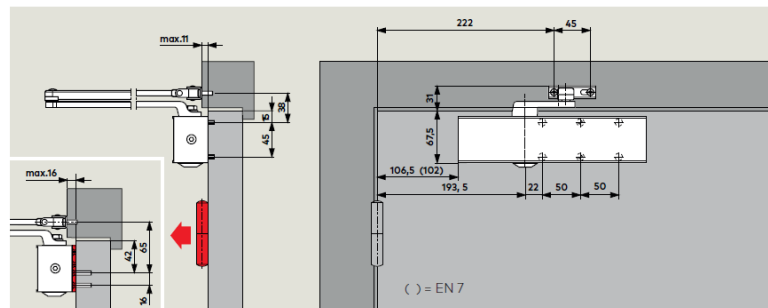
- Strengths 3-6
- Rack and pinion
- Suitable for leaf widths up to 1400mm wide
- Adjustable closing speed
- Adjustable closing force
- Adjustable or self-regulating back check
- Adjustable latch speed
- Adjustable delayed action
- Scissor arm action
- Fire-rated (E120)

Guides

- Technical brochure
- Standard arm installation instructions
- Parallel arm installation instructions

Variable Closing Force	Size	EN 2-5	EN 3-6	EN 7
Standard doors	<1250 mm <1400 mm <1600 mm	● — —	— ● —	— — ●
External doors, outward opening	<1250 mm <1400 mm <1600 mm	● — —	— ● —	— — ●
For fire and smoke check doors	<1250 mm <1400 mm <1600 mm	● — —	— ● —	— — ●

TS83: PULL SIDE



TS83: PUSH SIDE

