

Steel Security Drop Bars

SUITABLE FOR USE WITH
STANDARD 96MM
STRONGDOR FRAME

TECHNICAL SPECIFICATION

- Single and double leaf door-sets with single drop bar configuration
- Single and double leaf door-sets with double drop bar configuration
- Leaf and a half door-sets with single and double drop bar configuration

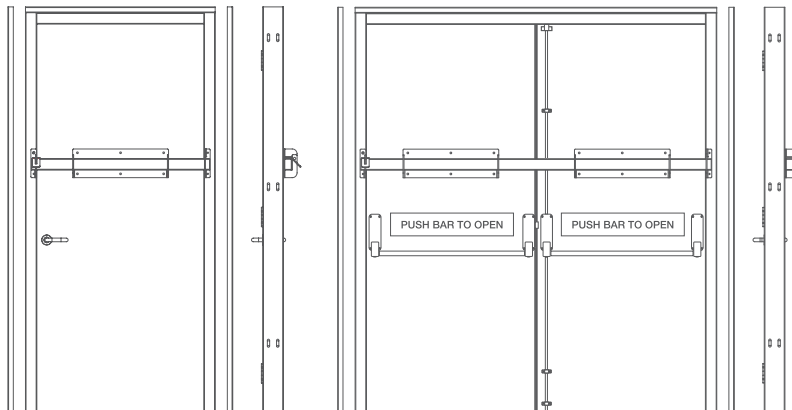


Designed for use on single leaf, double leaf and leaf and a half door-sets, Strongbar steel door security drop bars secure the leaf against the door frame, by means of bolted brackets, giving greater protection against forced entry or break in. Suitable for use with the standard 104mm Strongdor frame, the bars are often fitted in pairs, to the top and bottom of the door-set. The new improved design is more compact, easier to install and the bars can be secured with a padlock for additional security.

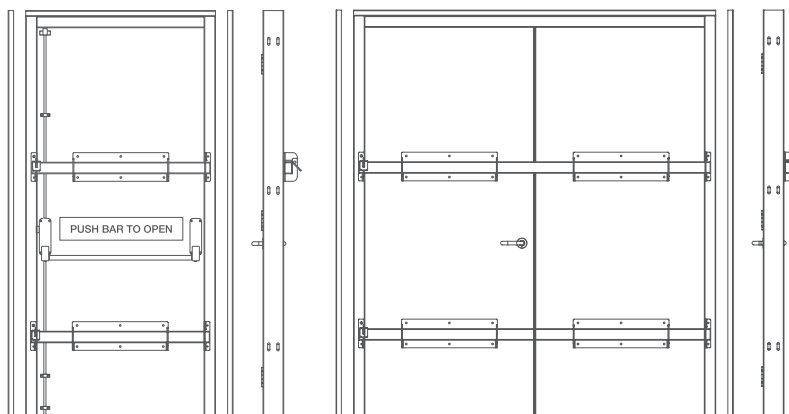
Steel Security Drop Bars

Please note that these drop bars are only suitable for use on outward opening doors and, to comply with safety regulations, are only to be used when the property is vacant.

Single and double leaf door-sets with single drop bar configuration

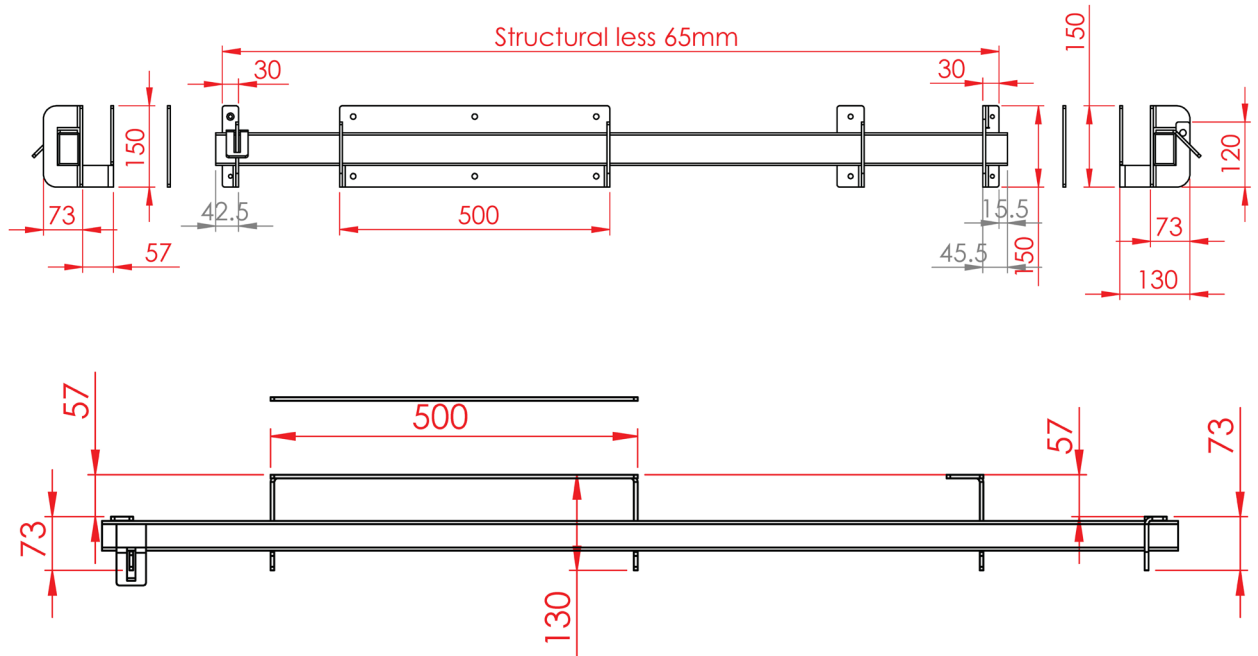
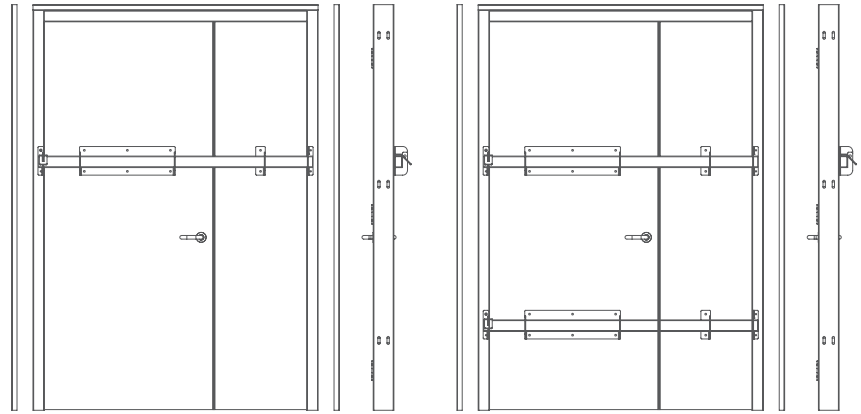
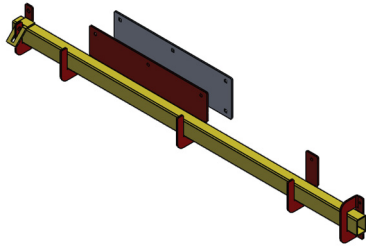


Single and double leaf door-sets with double drop bar configuration



Leaf and a half door-set configuration and drawings.

Leaf and a half door-sets with single and double drop bar configuration



Wall mounted drop bar bracket.

A wall mounted drop bar bracket is designed to support a drop bar when not being used on your steel door. Usually mounted on a wall close to your door, the drop bar bracket supports the weight of the drop bar while removing the risk of injury by leaving it lying around.

